

# Semi-Flush Profiles

## Aluminium Coving Profiles

Available in both 40mm / 1.57in and 45mm / 1.77in radius options, powder coated aluminium alloy internal corner coving profiles allow for a silicone seal finish. Aluminium pre-coving is screw fixed to the cleanroom ceiling and wall panels. The powder coated finished coving is clipped into the pre-coving for a silicone seal finish.

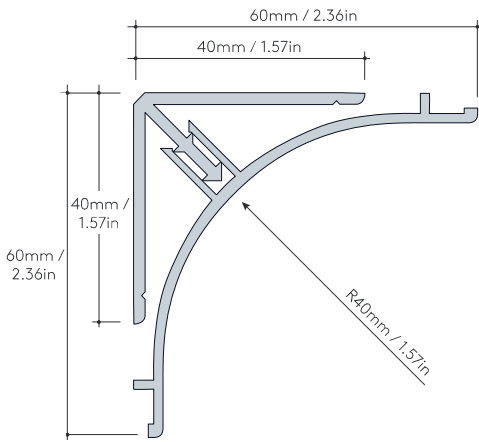
Coving profiles interface with internal 3 way corner profile and are available in powder coated RAL 9010 or RAL 9002 finish, with an optional anti-bacterial HYGIENEsafe coating.

## Installation

Corner caps are fixed to the ceiling panels with self-tapping screws.

Part Reference	Weight
40mm / 1.57in radius aluminium coving	1.13 kg/m / 0.76lb/ft
Internal corner to suit 40mm / 1.57in radius aluminium coving	51g / 0.01lb each
45mm radius aluminium coving	0.61 kg/m / 40.9lb
Internal corner to suit 45mm radius aluminium coving	115g each

### 40mm / 1.57in Radius Aluminium Coving



### 40mm / 1.57in Radius Aluminium Internal Corner



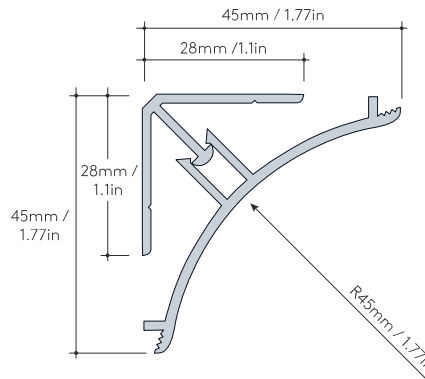
## Aluminium Internal Corner Coving



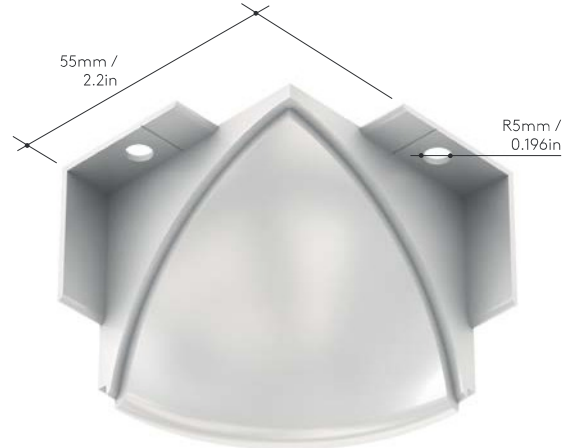
### Available Lengths

Standard length: 4.0 metres / 13.12in.

### 45mm / 1.77in Radius Aluminium Coving



### 45mm / 1.77in Radius Aluminium Internal Corner



Can be used in conjunction with 2, 3 and 4 way flush profiles.