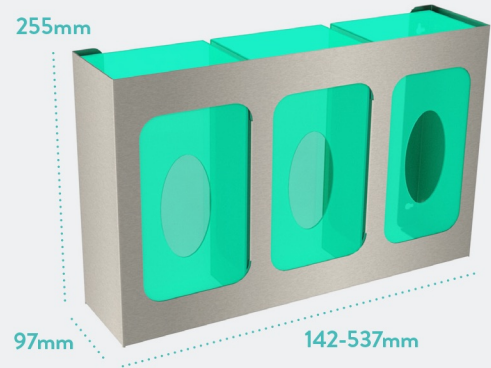


# dispensers & holders

**304 grade**  
grade 304 stainless steel

**1.2 mm**  
1.2mm thick stainless steel



- designed to hold standard sized glove boxes
- two way keyhole fixing slots for vertical or horizontal wall mounting



- 90mm diameter holes designed to hold 500ml or 1L trigger spray bottles
- stainless steel single piece design
- wall mounting holes

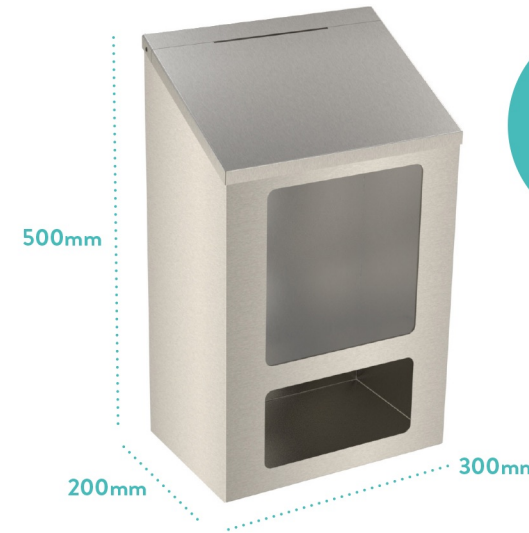
## stainless steel glove dispenser

description	width	depth	height
single glove dispenser	142mm	97mm	255mm
double glove dispenser	269mm	97mm	255mm
triple glove dispenser	403mm	97mm	255mm
quad glove dispenser	537mm	97mm	255mm

## stainless steel bottle holder

description	width	depth	height
single bottle holder	100mm	110mm	130mm
double bottle holder	200mm	110mm	130mm
triple bottle holder	300mm	110mm	130mm

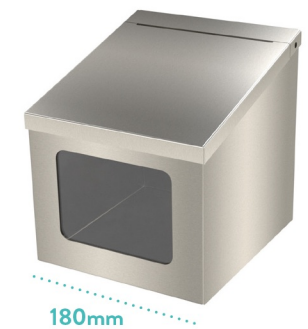
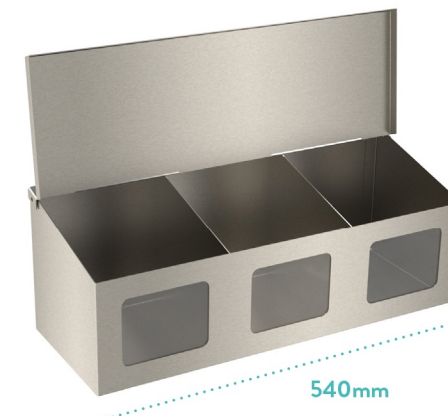
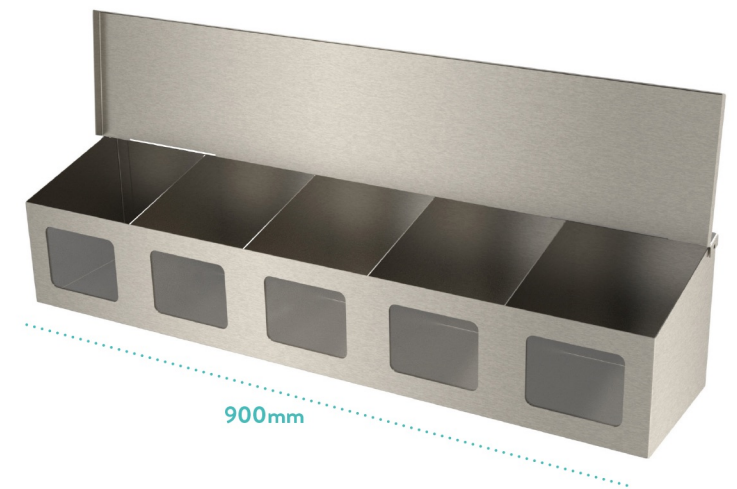
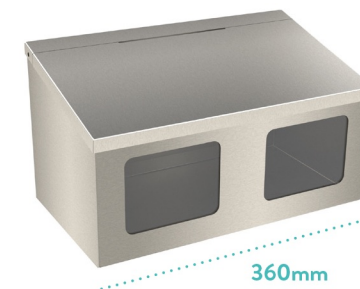
perspex front panel to see stock level



sloping hinged lid

## safety glasses dispenser

- perspex front panel to see stock level
- wall mounted



- perspex panel per compartment for checking stock level

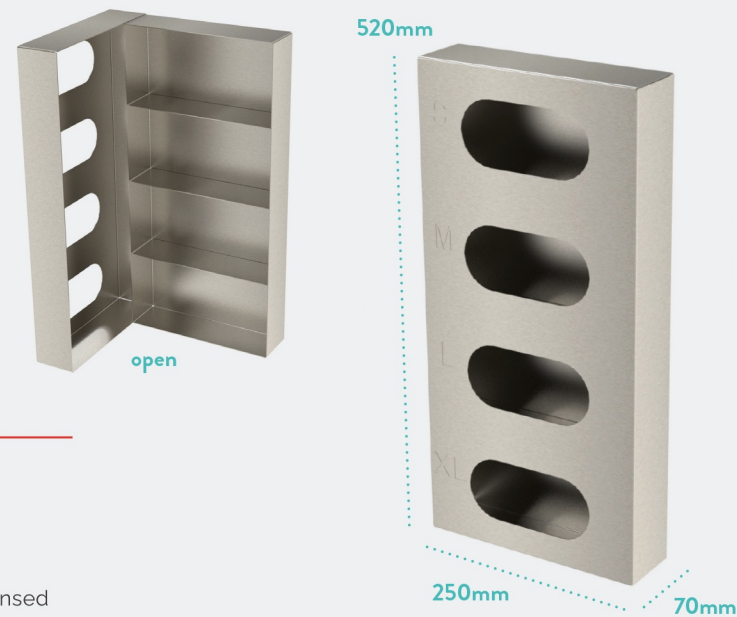
## PPE dispenser

description	width	depth	height
1 compartment PPE dispenser	180mm	200mm	200mm
2 compartment PPE dispenser	360mm	200mm	200mm
3 compartment PPE dispenser	540mm	200mm	200mm
4 compartment PPE dispenser	720mm	200mm	200mm
5 compartment PPE dispenser	900mm	200mm	200mm

wall mounted

sloping hinged lid

designed to hold standard sized glove boxes



## stainless steel 4 size glove dispenser with hinged front

- holds a box of each sized glove (small, medium, large and extra large)
- etched front to show sizes of gloves being dispensed

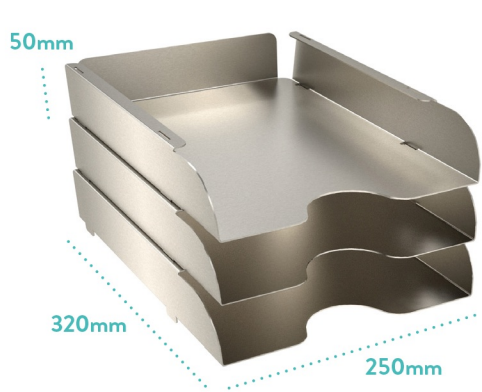
# dispensers & holders

304  
grade

grade 304  
stainless steel

1.2  
mm

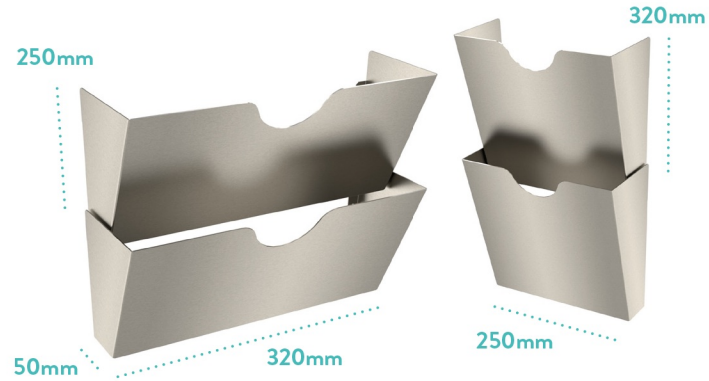
1.2mm thick  
stainless steel



## stainless steel stackable A4 desk trays

- stainless steel single piece design
- tab and slot stacking system to prevent movement
- rounded corners and softened edges for safety

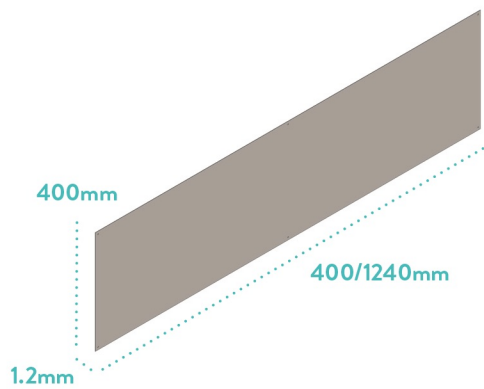
description	width	depth	height
stackable A4 desk trays	250mm	320mm	50mm



## stainless steel wall mounted A4 document holder

- perfect for A4 paper or A4 folders
- stainless steel single piece design
- rounded corners and softened edges for safety

description	width	depth	height
A4 portrait	250mm	50mm	320mm
A4 landscape	320mm	50mm	250mm



## stainless steel mirror

- bespoke sizing available
- mirror polished stainless steel
- wall mounting holes

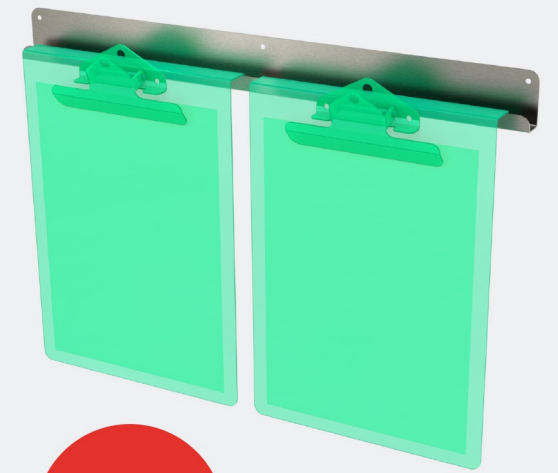
description	width	depth	height
400 x 400 mirror	400mm	1.2mm	400mm
400 x 1240 mirror	400mm	1.2mm	1240mm

# clipboards & dividers



stainless  
steel clipboard  
for A4 paper

rear  
integrated  
hook to enable  
convenient  
storage

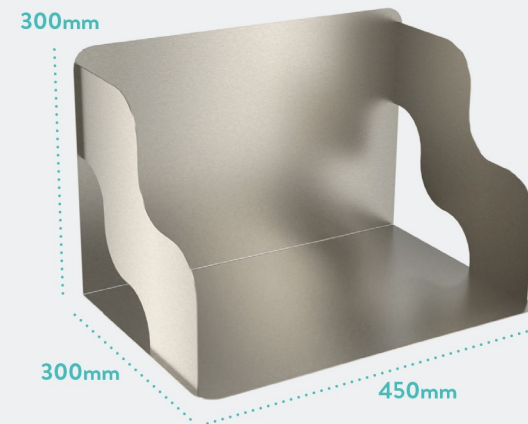


simple one  
piece design for  
easy cleaning

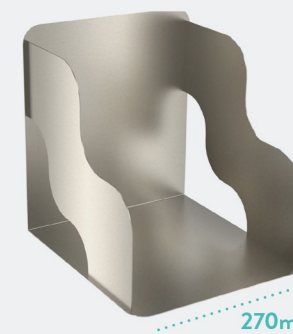
wall mounted  
hanging rail  
for storing  
clipboards

## stainless steel clipboards

description	width	depth	height
stainless steel A4 clipboard	240mm	28mm	340mm
stainless steel A4 clipboard with bottom pen tray	240mm	28 mm	340mm
stainless steel hanging rail for clipboards	540mm	20mm	50mm



stainless steel  
divider for files  
and binders



easy  
clean  
design

## stainless steel file dividers

description	width	depth	height
stainless steel file divider - 3 files	270mm	300mm	300mm
stainless steel file divider - 4 files	360mm	300mm	300mm
stainless steel file divider - 5 files	450mm	300mm	300mm